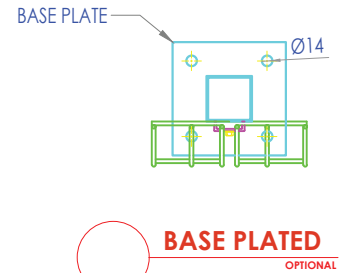
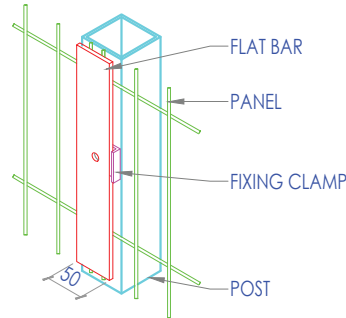
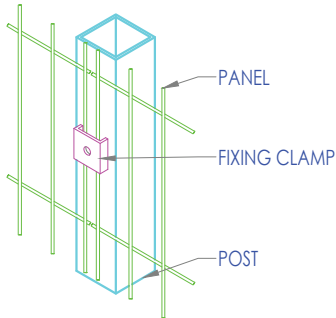
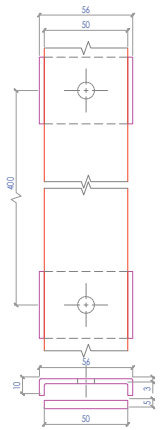
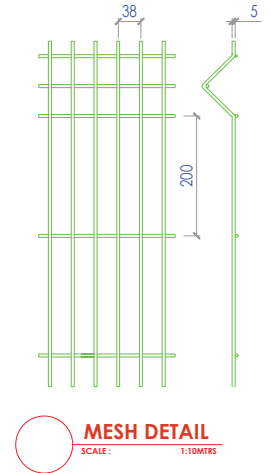
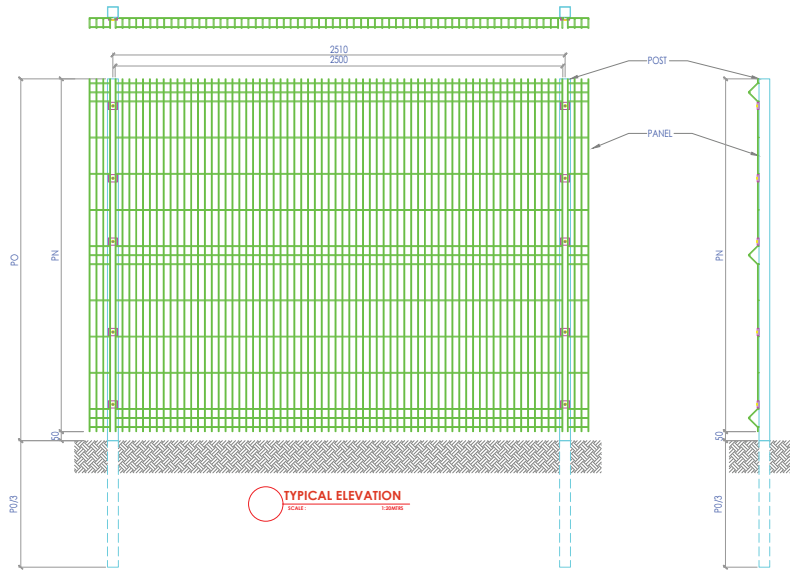
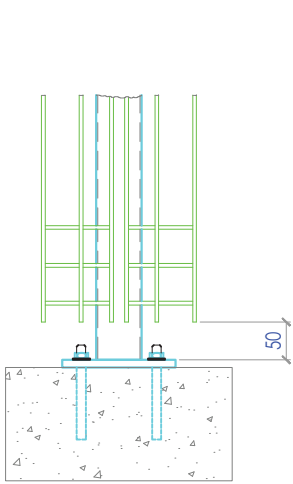
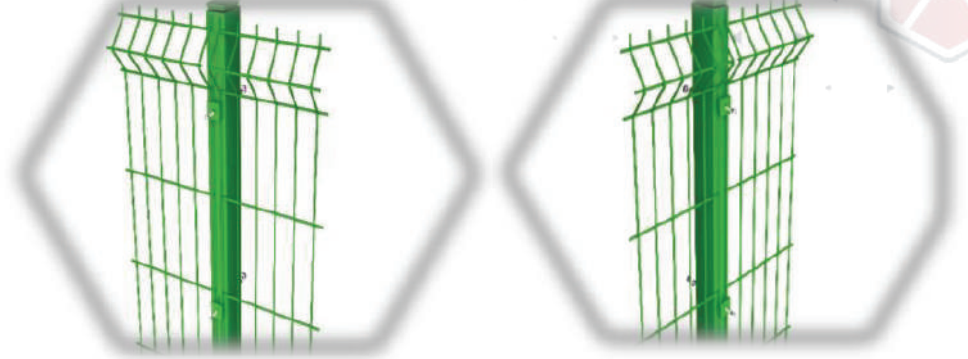




# HiWeld 3D38™

## V MESH ULTIMATE PROFILED FENCIG SYSTEM

- 1** Easy fixing security clips
- 2** 30 mm projecting spikes
- 3** Fully resistant welded joints
- 4** Galvanized and Polyester Powder Coated



+966 11 474 8635

www.hitech.sa  
sales@hitech.sa

Building no 3824, Nira Street, 2nd  
Industrial area, Riyadh 14338 RSNB3824





شركة حديد  
التقنية العليا  
الصناعية  
HITECH  
STEEL INDUSTRIES

## HiWeld 3D38™

V MESH ULTIMATE PROFILED FENCIG SYSTEM

### FINISH

- Hot dip galvanized to BS EN ISO 1461 as standard
- Hot dip galvanized and powder coated to BS EN 13438
- Marine coat for installations within 500m of salt water or an estuary



### SUITABLE

- Industrial area
- Commercial properties
- Public Buildings
- Solar Sites
- Retail Premises
- School Buildings



### FEATURES

- Compatible with barbed wire, razor wire, or rota spikes.
- Includes wall fixing plates, base plated, and cranked posts.
- Features 200x38mm center mesh with a 50mm gap, made of 5mm wire, with alternative sections available.
- Provides additional security by preventing unauthorized climbing.
- Offers strength and security without an intimidating appearance.
- Unique panel-to-post fixings resist tampering.
- Includes 2 to 4 folds depending on the fence height.
- Adjustable to accommodate sloping ground.
- Available in single leaf and double leaf configurations.
- Panels can be combined with a privacy screen for enhanced privacy and security.
- Panels can be stacked to create a taller fence.
- Heavy welded mesh panels ensure rigidity and long lasting performance.
- Available in unlimited colors to match your aesthetic preferences.

+966 11 474 8635



[www.hitech.sa](http://www.hitech.sa)

[sales@hitech.sa](mailto:sales@hitech.sa)



Building no 3824, Nira Street, 2nd  
Industrial area, Riyadh 14338 RSNB3824





شركة حديد  
التقنية العليا  
الصناعية  
HITECH  
STEEL INDUSTRIES

## HiWeld 3D38™

V MESH ULTIMATE PROFILED FENCIG SYSTEM



The HiWeld 3D38™ fencing system comprises three major elements: Posts, Panels, and Fittings.

### Post

HiWeld 3D38™ is designed to secure properties of varying scales, with its name inspired by its hollow steel posts. These posts come in measurements of 40x40mm, 60x60mm, or 50x100mm, depending on the fence's height, providing the necessary strength to withstand pressure and force. The posts determine the fence's length and offer several mounting options:

- Over-length set in the ground
- Base plated for bolting onto concrete
- Cranked for wall mounting
- Covered with a plastic cap on top
- Extended with a 45-degree crank on top
- Extended with a double (Y) crank on top

### Panels

The mesh panels, positioned between the posts, are 2500mm wide and made of 4mm or 5mm vertical and horizontal wires welded together with rectangular openings of 38x200mm. These panels feature a special 3D profile for additional reinforcement. Standard panel heights are 950mm, 1450mm, and 1950mm, with the ability to stack panels to achieve a fence height of up to 6000mm. To enhance security and prevent climbing, options include:

- 30mm projecting spikes
- 3 or 6 barbed wires
- 3 or 6 barbed wires with a concertina role

+966 11 474 8635



[www.hitech.sa](http://www.hitech.sa)

[sales@hitech.sa](mailto:sales@hitech.sa)



Building no 3824, Nira Street, 2nd

Industrial area, Riyadh 14338 RSNB3824





## HiWeld 3D38™

### V MESH ULTIMATE PROFILED FENCIG SYSTEM

The tensile strength of the wires is a minimum of 500 N/mm<sup>2</sup>, with the welding strength at least 50% of the total tensile strength of the wire, in compliance with EN 10223-7.

#### Fittings

The system uses rigid 40x50mm metal clips or 50x5mm flat bars along the full length of the post to secure the welded steel mesh panels. These fittings are bolted every 400mm using 8mm diameter round head bolts.

#### Gates

Matching single leaf and double leaf gates are available for the HiWeld 3D38™ fencing system. These gates come with a variety of opening mechanisms and can be manually or automatically operated.

PANEL DIMENSIONS	DETAILS
Panel Height	950,1450,1950 mm (Can stacked above one another to deliver up to 6000 mm high fence.)
Panel Width	2500mm
Mesh Size	200 x 38mm
Wire Diameter	4mm or 5mm
Profiles	2-3
Top Edge Projection	30mm (Can be inverted for flush edges)
Post	40 x 40mm SHS (up to 6000mm) 60 x 60mm SHS (up to 6000mm) 50 x 100mm SHS (up to 6000mm)
Post Centers	2500mm
<b>STANDARD COLORS</b>	
Black	RAL 9005
Green	RAL 6005

Other colors are available on demand.

+966 11 474 8635



www.hitech.sa

sales@hitech.sa



Building no 3824, Nira Street, 2nd

Industrial area, Riyadh 14338 RSNB3824

