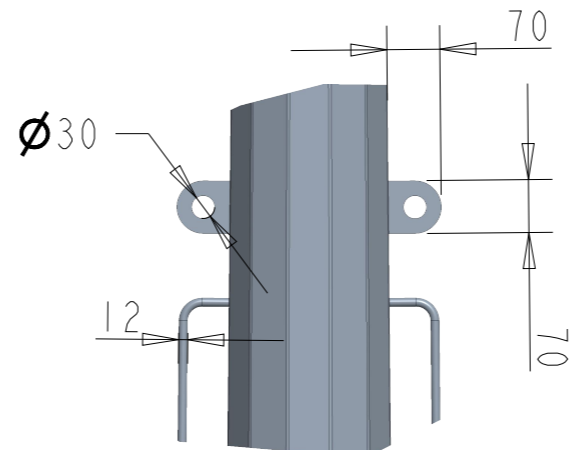


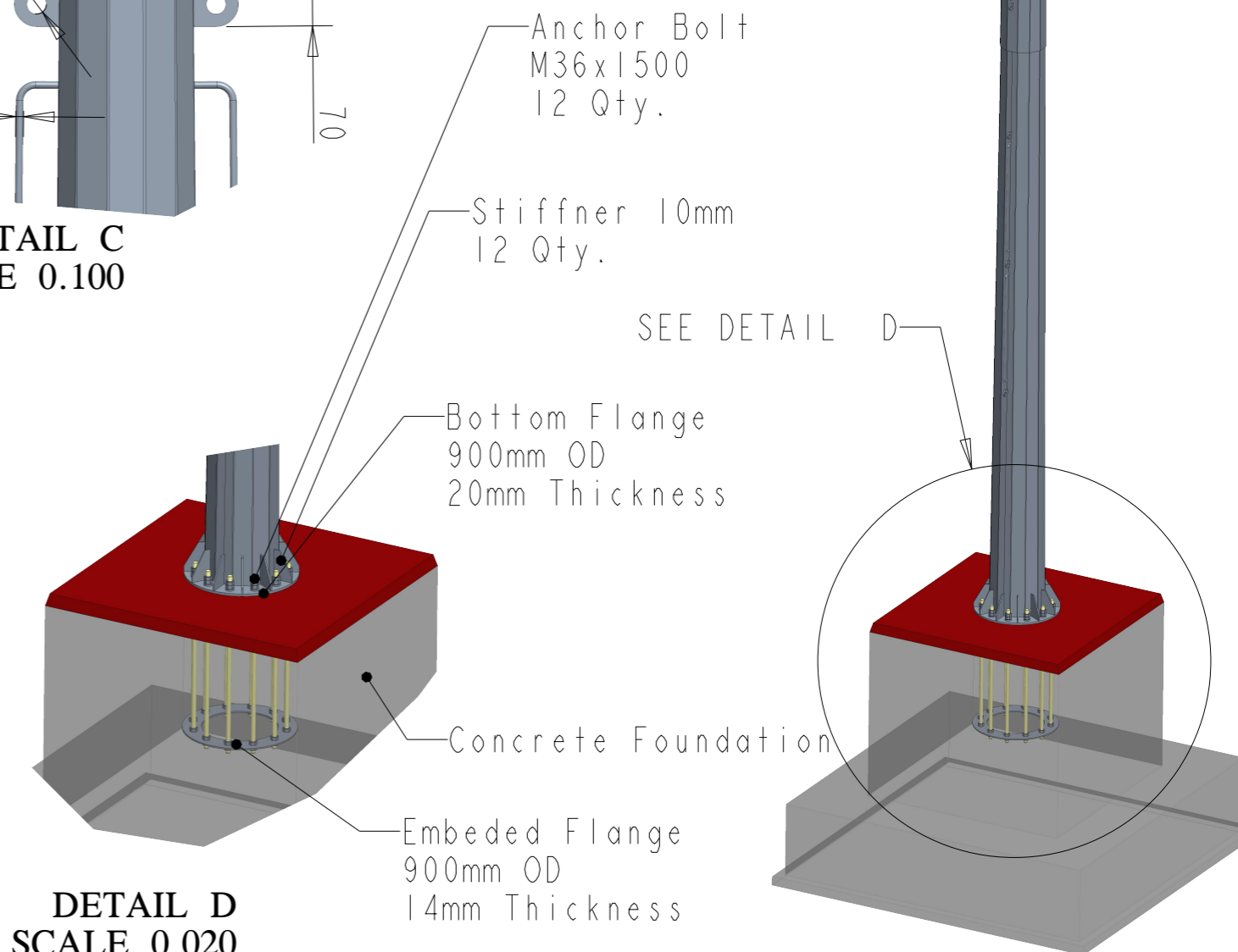
Segment-1 (12-Sided Pole)	Ø356-Ø200 x 4mm - 8.1M
Segment-2 (12-Sided Pole)	Ø495-Ø335 x 6mm - 8.3M
Segment-3 (12-Sided Pole)	Ø600-Ø466 x 8mm - 7.0M

DETAIL A
SCALE 0.050

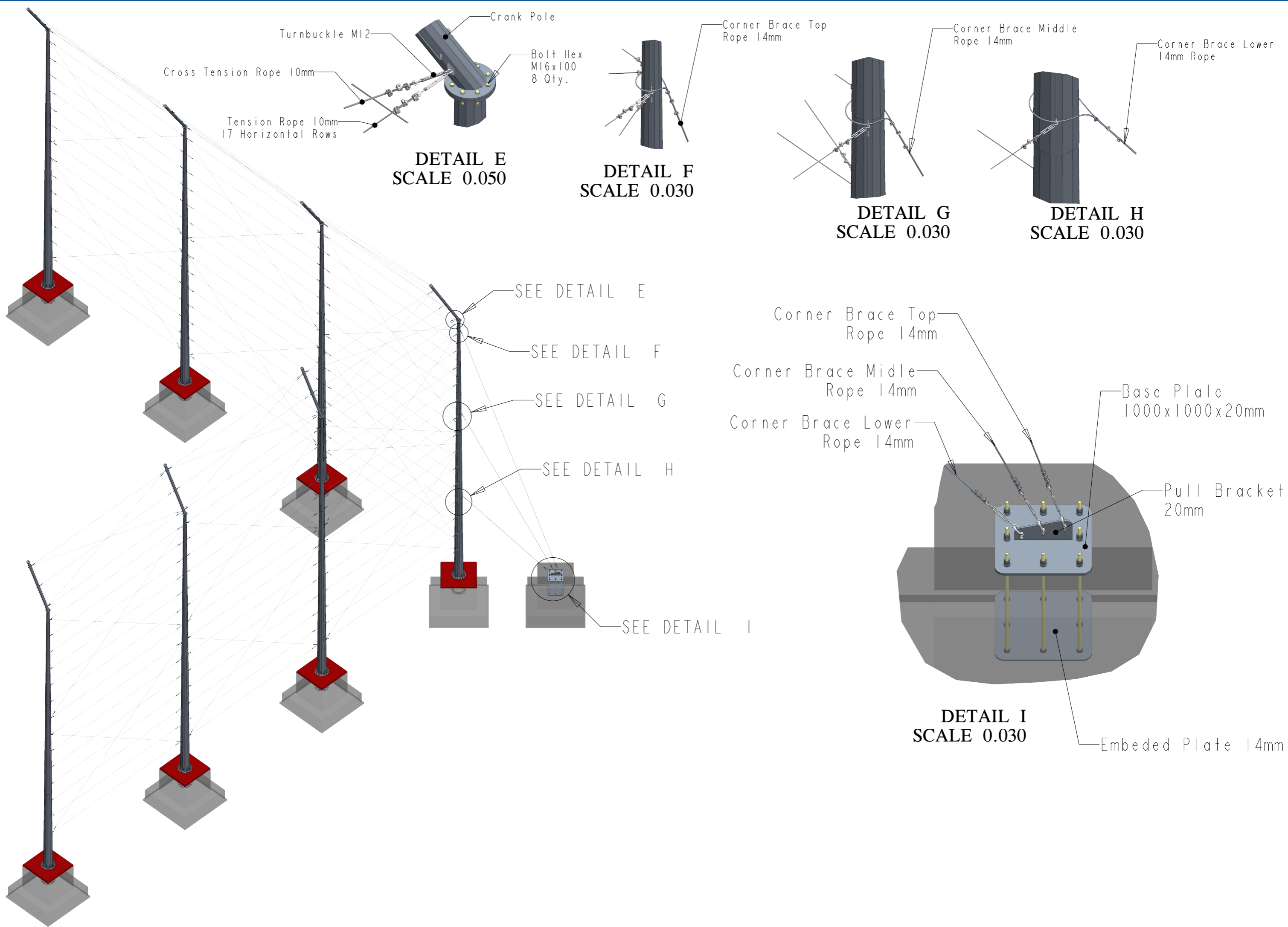
DETAIL B
SCALE 0.060



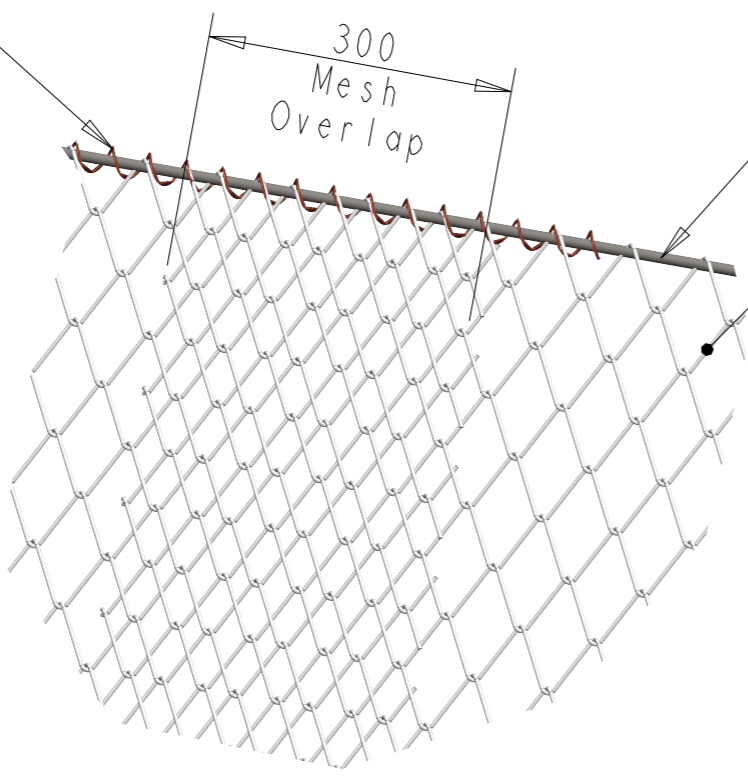
DETAIL C
SCALE 0.100



DETAIL D
SCALE 0.020



Spiral Spring
4mm Wire Dia
1000mm Long

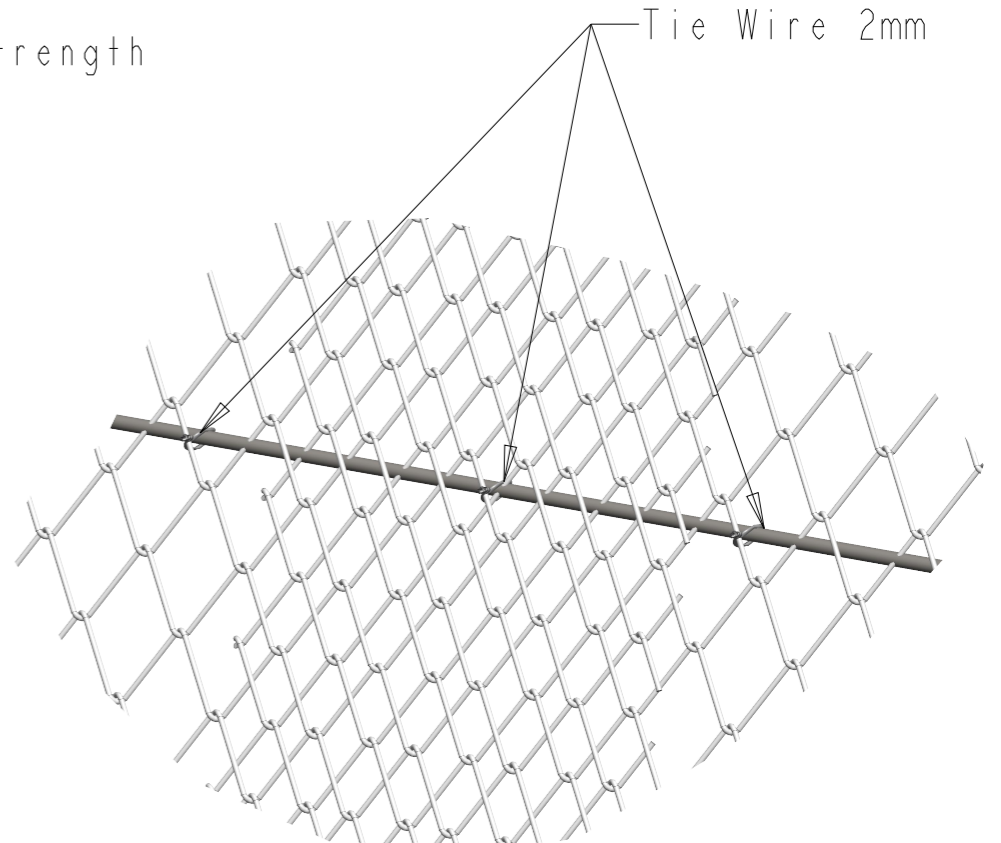


Tension Rope 10mm

Chainlink Fabric 2.6M Wide
70x100 Opening
3mm Wire dia
1350 MPa Tensile Strength

DETAIL J
SCALE 0.150

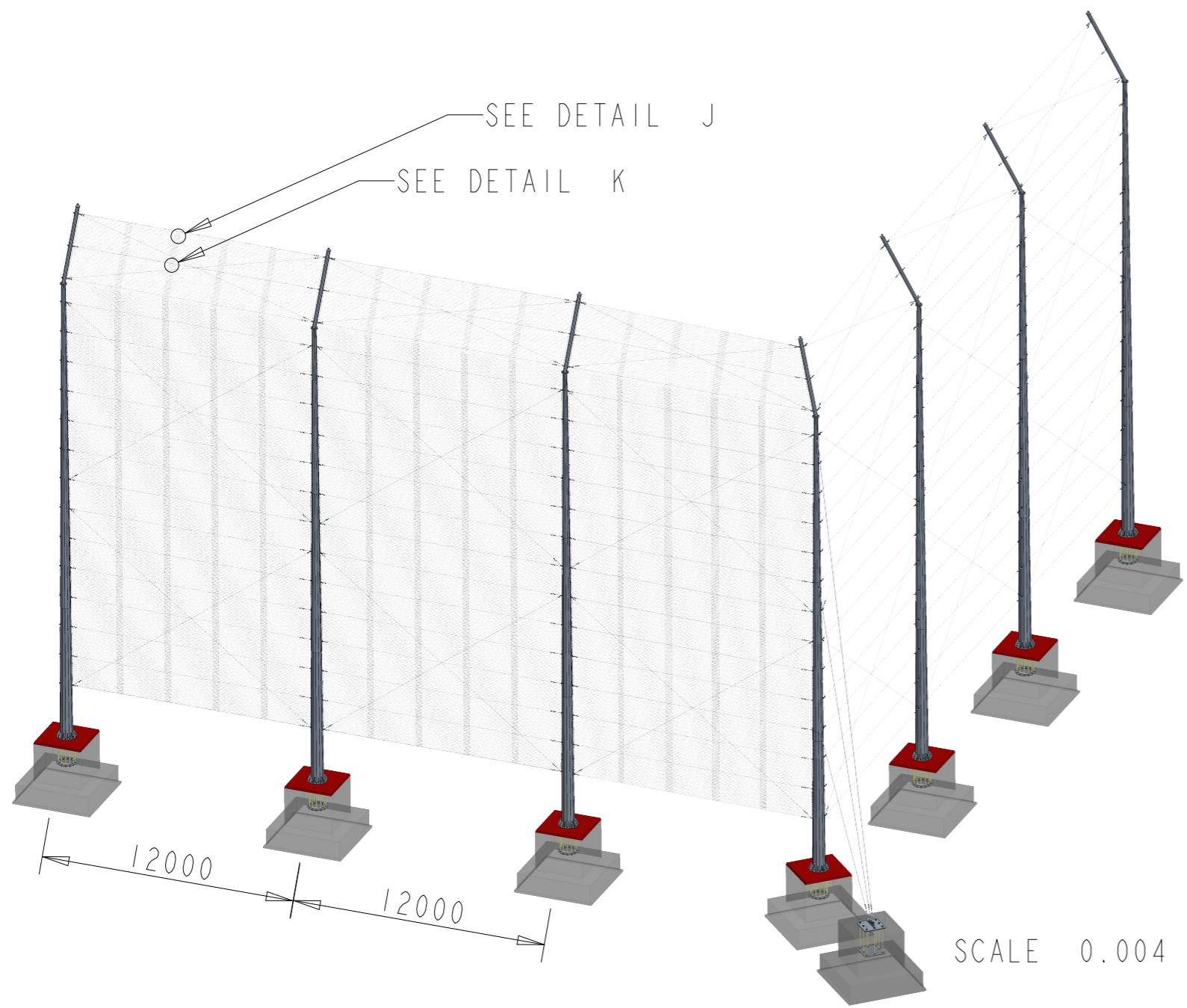
Tie Wire 2mm



DETAIL K
SCALE 0.200

SEE DETAIL J

SEE DETAIL K



SCALE 0.004